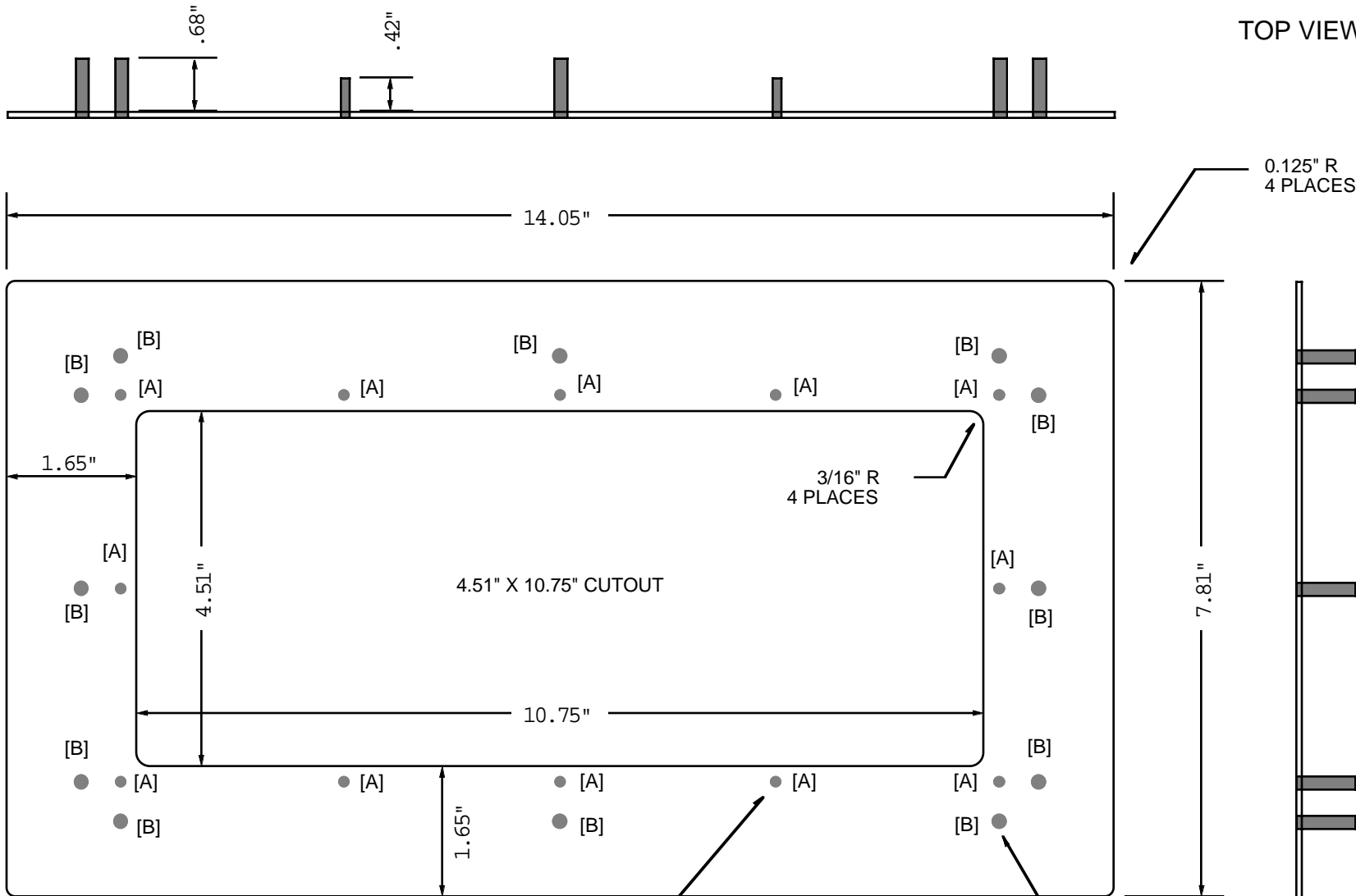


TOP VIEW



[A] 4-40 TH'D STUD
 PRESSED FIT, 12 PLACES
 PRESS BELOW SURFACE
 AND FINISH FLUSH

[B] 8-32 X 0.75" TH'D STUD
 PRESSED FIT, 12 PLACES
 PRESS BELOW SURFACE
 AND FINISH FLUSH

FABRICATE FROM 14 GAUGE (0.075") STAINLESS STEEL 304
 #3 FINISH. FINISH GRAIN DIRECTION: LEFT TO RIGHT, GRIND OR SAND FOR FINISH

1:2

Texas Industrial Peripherals
 2621 Ridgepoint Dr. Suite 130
 Austin, Texas 78754

Voice: (512) 837-0283
 Fax: (512) 837-0207

Drawing Title: PM-81
 FRONT BEZEL
 MAX DIMENSIONS

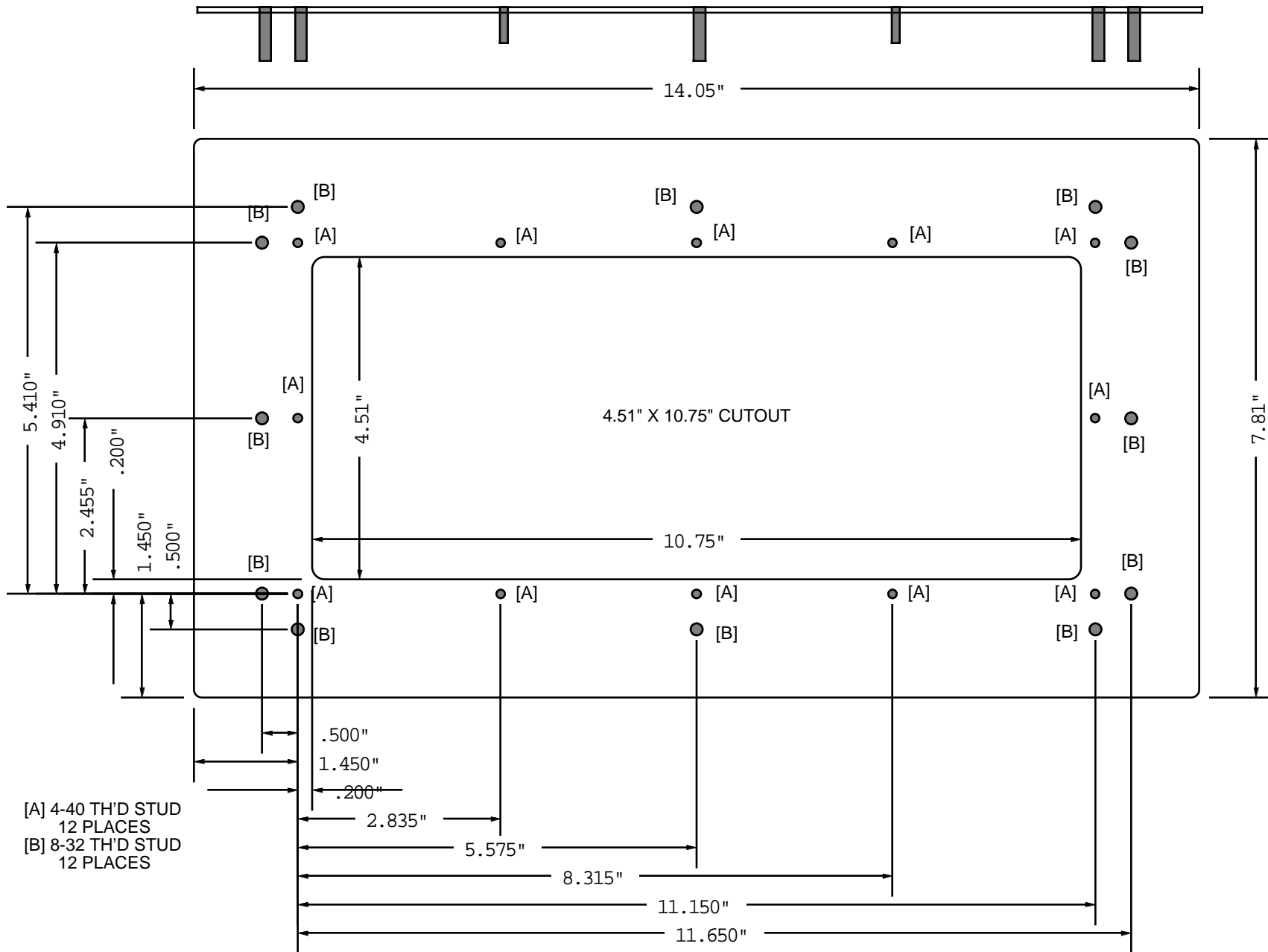
Drawing Number: 96136

Sheet: 1 OF 5

Part Number: 96-PM0081-100

Date: 6/7/96

VFS

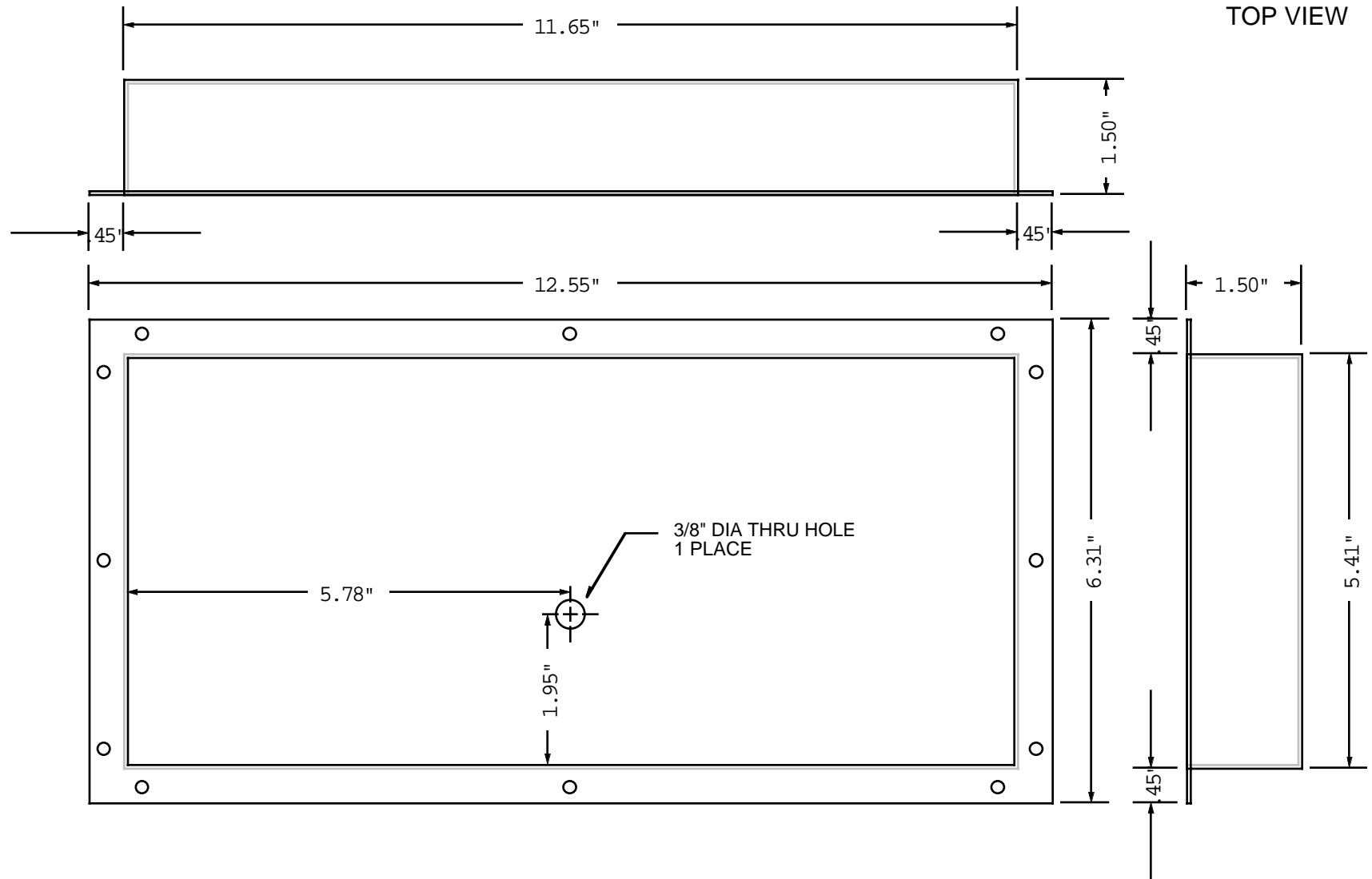


[A] 4-40 TH'D STUD
12 PLACES
[B] 8-32 TH'D STUD
12 PLACES

1:2

Texas Industrial Peripherals 2621 Ridgepoint Dr. Suite 130 Austin, Texas 78754	Voice: (512) 837-0283 Fax: (512) 837-0207	Drawing Title: PM-81 FRONT BEZEL STUD PLACEMENT		Drawing Number: 96136		Sheet: 2 OF 5	
				Part Number: 96-PM0081-100		Date: 6/7/96	

TOP VIEW



FABRICATE FROM 0.048" ALUMINUM
NO FINISH

1:2

Texas Industrial Peripherals
2621 Ridgepoint Dr. Suite 130
Austin, Texas 78754

Voice: (512) 837-0283
Fax: (512) 837-0207

Drawing Title: PM-81
REAR COVER
MAX DIMENSIONS

Drawing Number: 96136

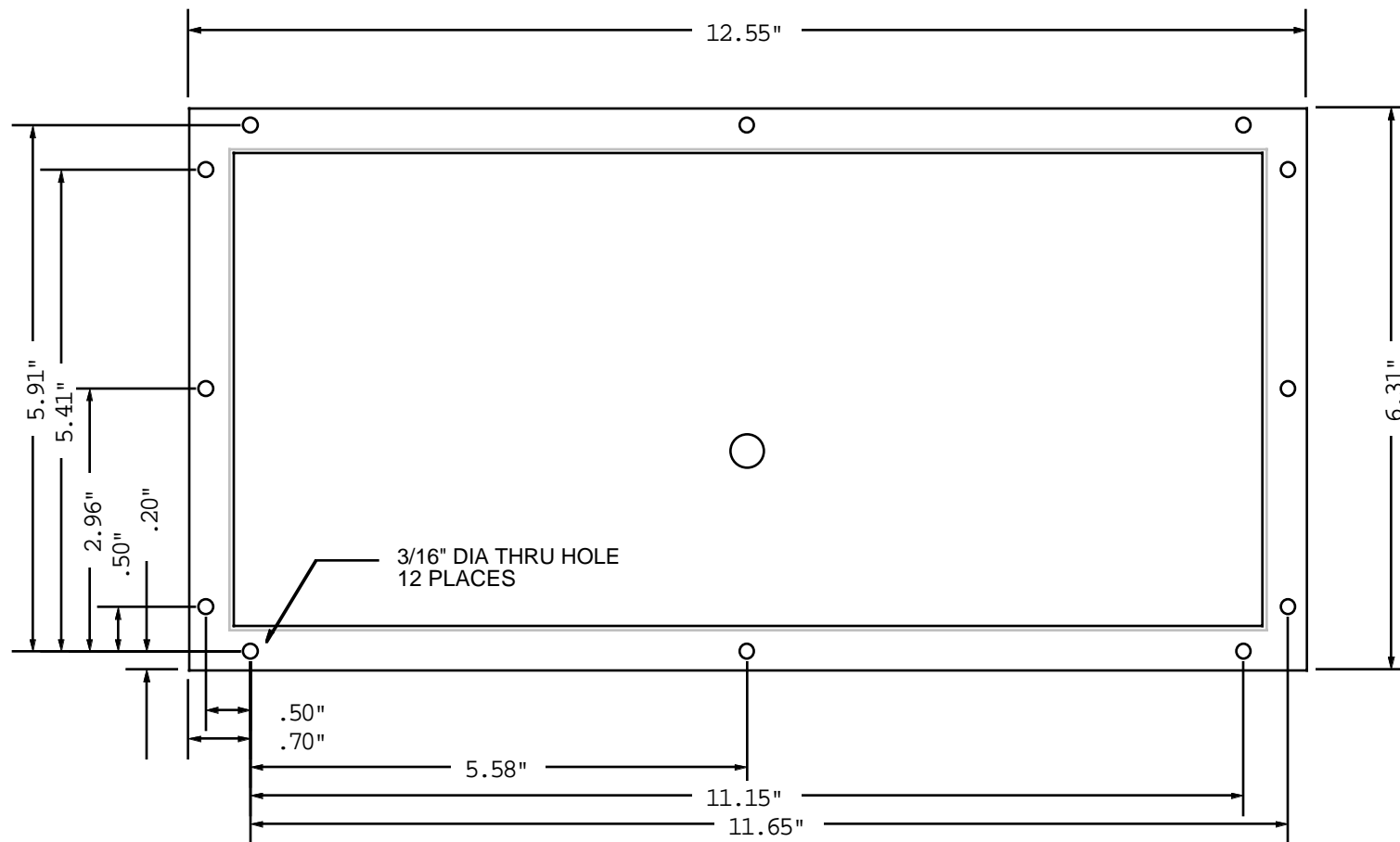
Sheet: 3 OF 5

Part Number: 96-PM-0081-200

Date: 6/7/96

VFS

TOP VIEW



FABRICATE FROM 0.048" ALUMINUM
NO FINISH

1:2

Texas Industrial Peripherals
2621 Ridgepoint Dr. Suite 130
Austin, Texas 78754

Voice: (512) 837-0283
Fax: (512) 837-0207

Drawing Title: PM-81
REAR COVER
MOUNTING HOLE POS.

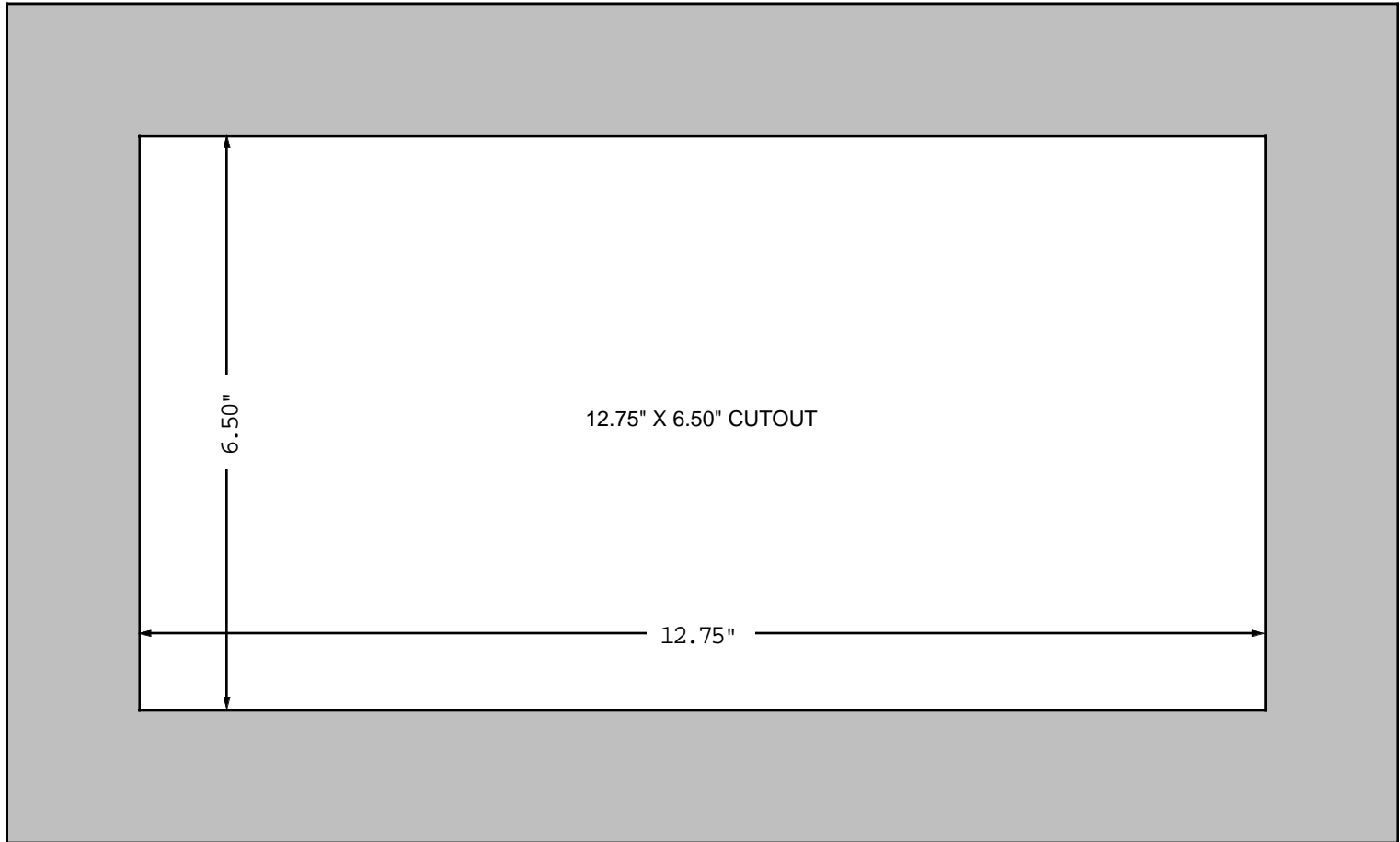
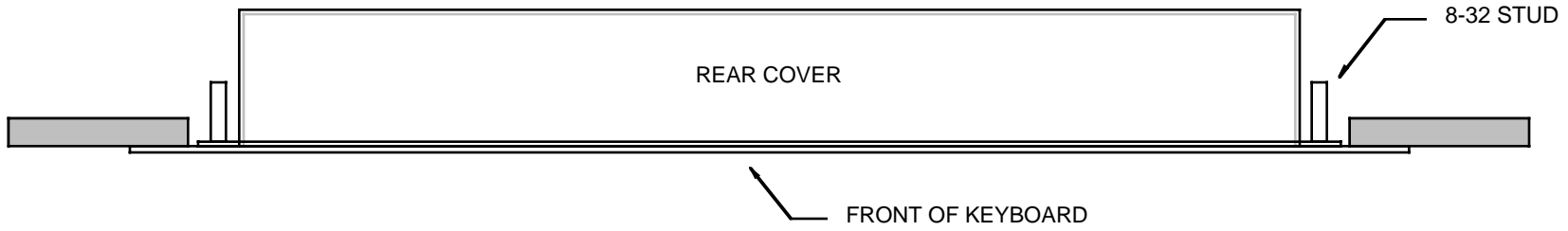
Drawing Number: 96136

Sheet: 4 OF 5

Part Number: 96-PM-0081-200

Date: 6/7/96

VFS



1:2

Texas Industrial Peripherals
 2621 Ridgepoint Dr. Suite 130
 Austin, Texas 78754

Voice: (512) 837-0283
 Fax: (512) 837-0207

Drawing Title: PM-81
 CUT PIT DIMENSIONS

Drawing Number: 96136

Sheet: 5 OF 5

Part Number:

Date: 6/7/96

VFS