

OCR320 OCR Document Reader

ACCESS
KEYBOARDS



Compact OCR Reader with dual illumination

- Reads Machine Readable Passports, Visas and Travel Cards conforming to ICAO Document 9303
- Reads documents conforming to IATA Recommended Practice 1720a for ATB and TAT tickets
- Optional bi-directional read
- Low power device - normally no external power supply required
- Suitable for check-in, gate and immigration control applications

Overview

The OCR320 is a compact fast OCR reader. Compatible with leading Common User System software, the OCR320 may be used by airline check-in staff to accurately capture data for APIS applications.

The dual illumination OCR reader captures code lines from Machine Readable Travel Documents conforming to the international standard specified by ICAO in Document 9303 - including Machine Readable Passports (MRP), Visas (MRV), and OCRB encoded cards such as the US Resident Alien card and European national ID cards. For fraud prevention and reconciliation purposes, it can also capture OCR stock control numbers and ticket numbers printed on thermally printed ATB coupons and TAT documents as well as read the IATA 2of5 bar code ticket number.

The OCR320 is extremely compact. Optional mounting brackets are also available to enable the OCR320 to be mounted at almost any angle and integrated into the smallest immigration, gate or check-in desk environment.

Host connection is via an industry standard RS232 interface through a detachable cable. The OCR320 is a lower power device and can usually be powered from a PC keyboard port, removing the need for a mains power supply unit.



All Trademarks Acknowledged

ACCESS KEYBOARDS Ltd, 18-19, Suttons Business Park, Reading, Berks.RG6 1AZ, UK.

Tel: +44(0)118 9663333 Fax: +44(0)118 9267281 E-mail: sales@accesskeyboards.com

Web: www.accesskeyboards.com



Application:

The OCR320 document reader is designed for airline passenger travel document reading. Most Common Use Systems are supported and the reader can be adapted to add a new host or to support non-standard cards such as loyalty or frequent flyer. To ensure flexibility for the future, new firmware to add and modify features can be down-loaded to the unit.

General Description:

The dual illumination OCR320 is a compact fast OCR document reader with the capability to read passports, visas and other documents conforming to ICAO Document 9303, including:-

Machine Readable Passports (MRP) : 2 lines of 44 characters

Machine Readable VISA (MRV) :2 lines of 44 characters, 2 lines of 36 characters

Travel Documents : 2 lines of 36 characters, 3 lines of 30 characters

It is also capable of reading OCR ticket data printed in accordance with IATA Recommended Practice 1720a including:-

ATB-1 type 407-E, 1403M, OCRB, OCRA and IATA 2of5 bar code data

The OCR320 has no moving parts and its advanced circuitry and robust construction ensure long term reliability and accurate performance.

A bi-color LED and audible sounder provide good read / bad read indication. Connection to the host system is via a single detachable cable to an industry standard 9 pin D type connector and a power supply input. Power can normally be taken from the system unit keyboard port using an adapter cable.

Options:

The OCR320 has a range of options:-

- Keyboard port power adapter.
- Universal mains power supply.
- Tilt and swivel or wall mounting brackets

Standard Specification:

Mechanical: **Dimension:** 217 x 60 x 59 mm **Weight:** 0.65 kg **Colour:** Pearl white

Host Interface: Bi-directional, RS232 by 9-way D-type

Electrical Specifications:

Power requirement: +5V dc

Current consumption: <250mA

Approvals:

Safety: UL 1950 /IEC950

RF/EMI: EN 55022 ClassB

FCC Part 15

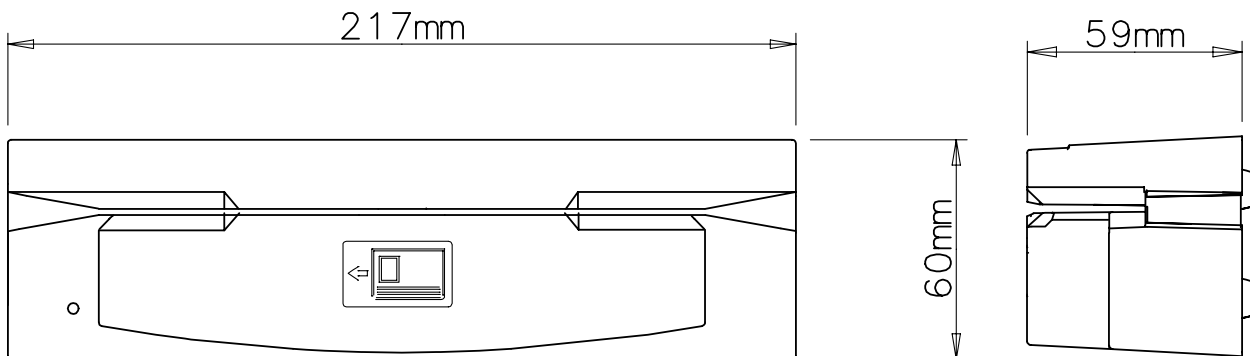
Subpart B, class A

Mechanical Features:

Storage Temperature: -20°C to 60°C

Operating Temperature: 0°C to 50°C

Cable length: 2.5m



All Trademarks Acknowledged

ACCESS KEYBOARDS Ltd, 18-19, Suttons Business Park, Reading, Berks.RG6 1AZ, UK.

Tel: +44(0)118 9663333 Fax: +44(0)118 9267281 Email: sales@accesskeyboards.com

Web: www.accesskeyboards.com

